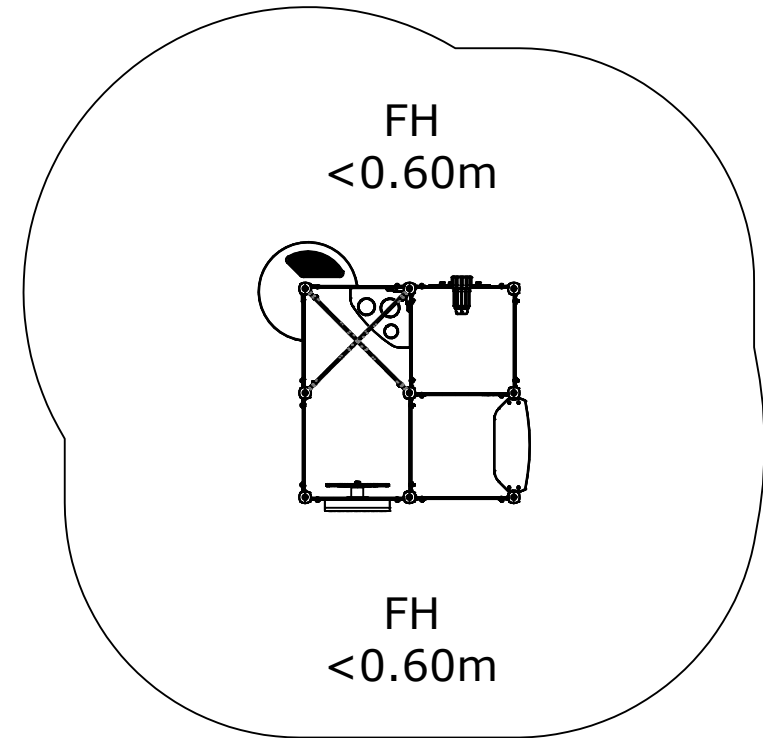
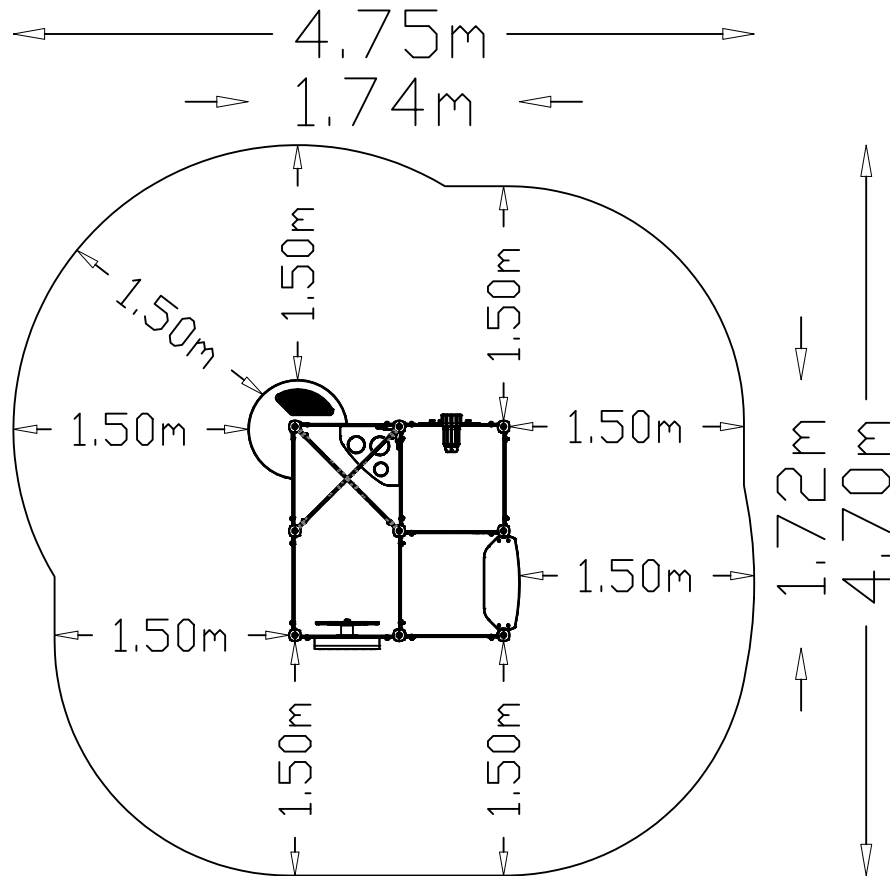
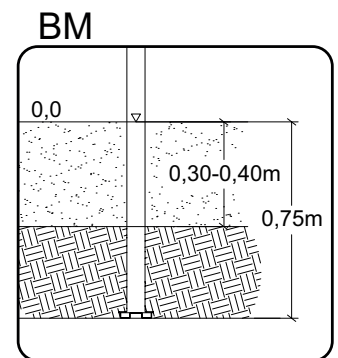
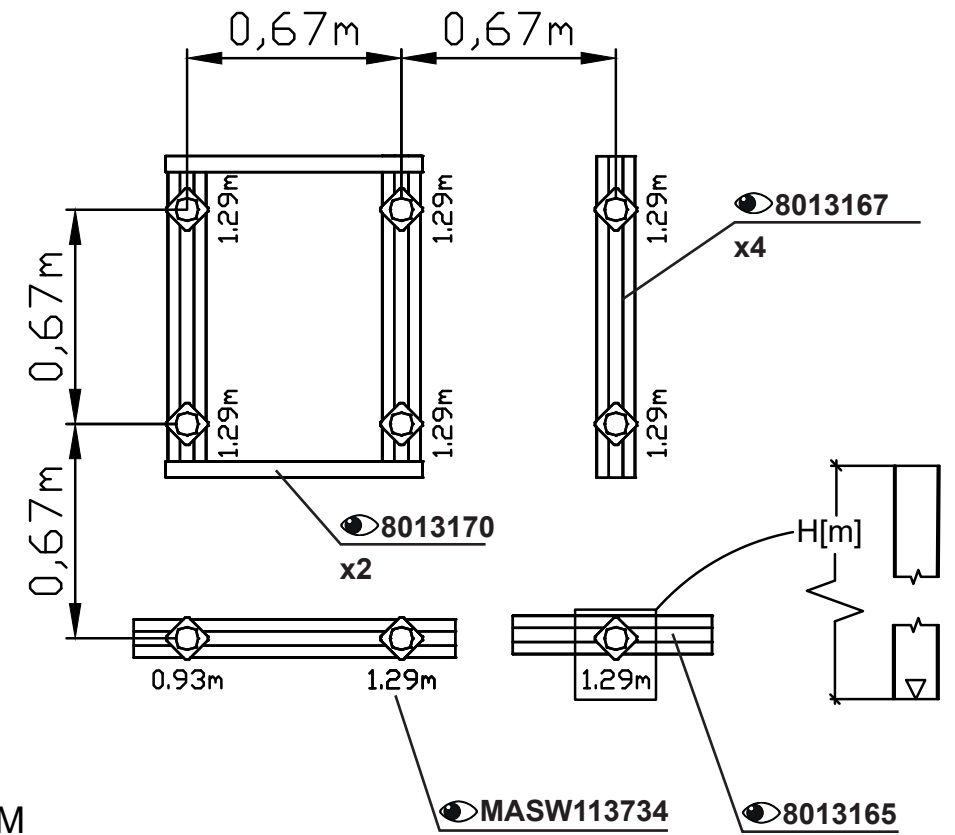
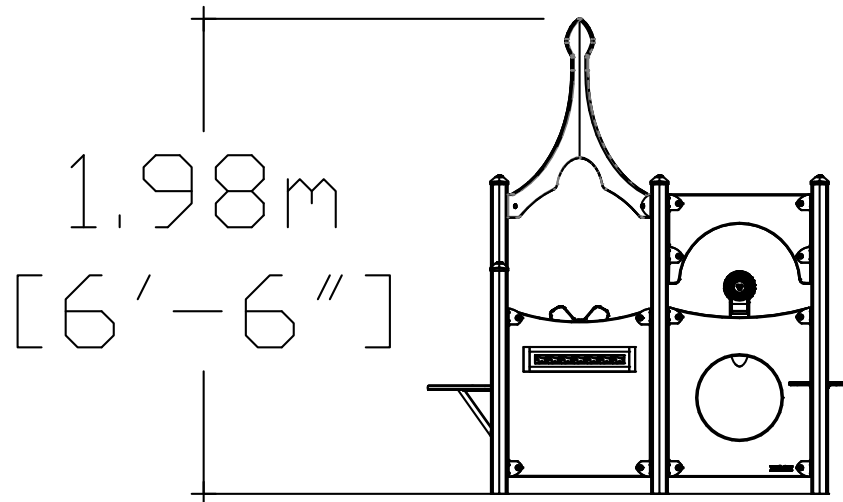
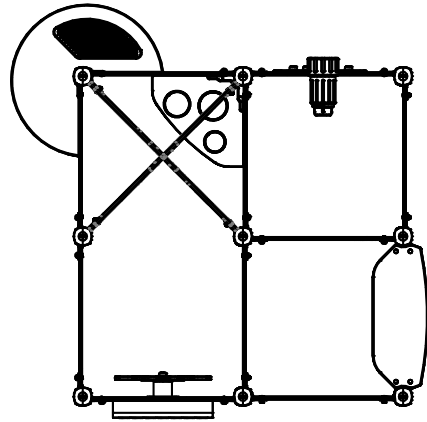
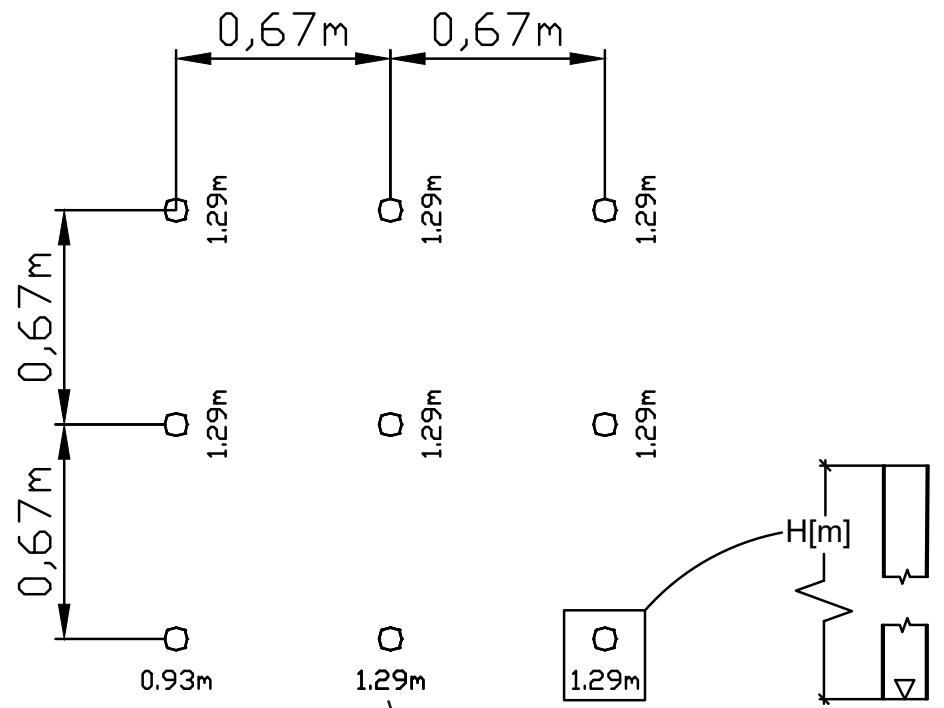
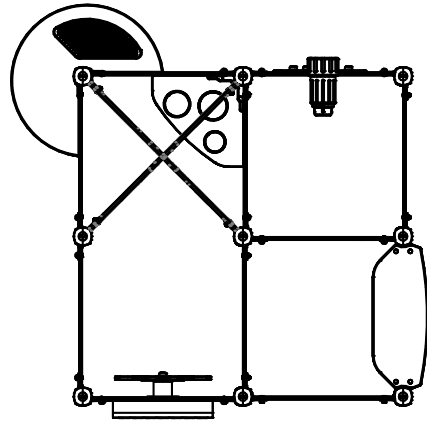


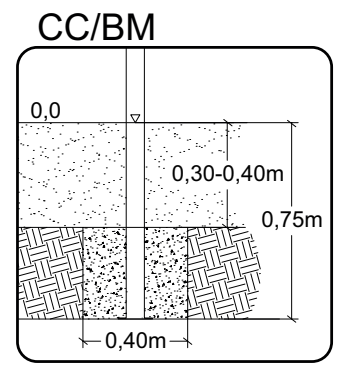
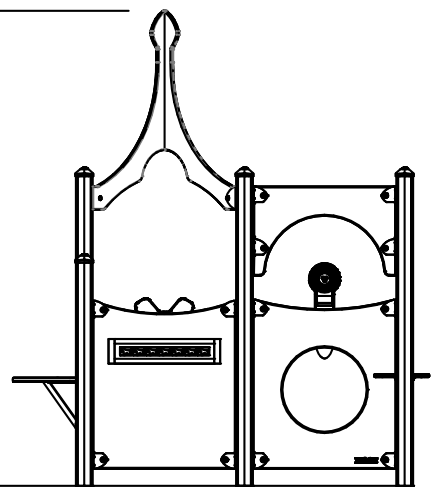
EN1176



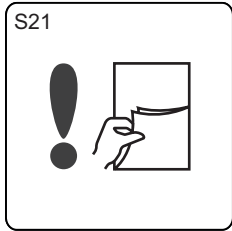




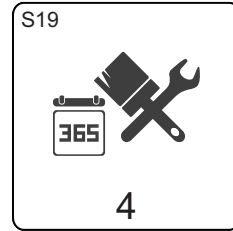
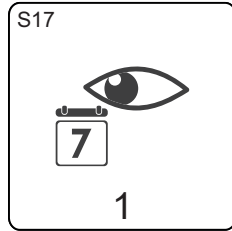
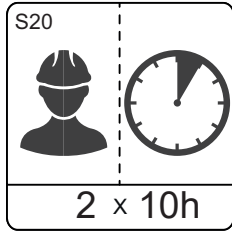
1,98m
[6' - 6"]



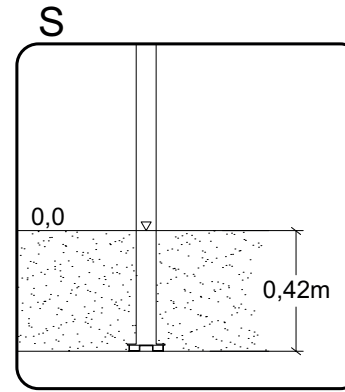
MASW113734



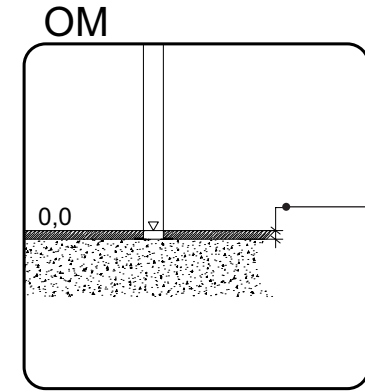
Install 101
6942
6952
260329
620996
650099
62093813
MASW113734
MASW35156
MASW44481
ST 6844
ST621101
ST621301
ST655410
ST6762
ST695105



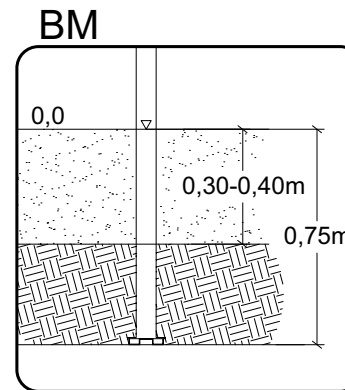
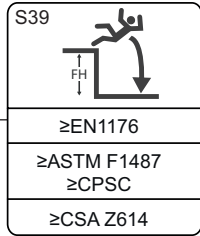
MASW113734



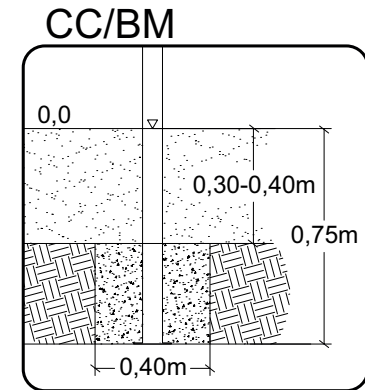
S
Sunken Foundation



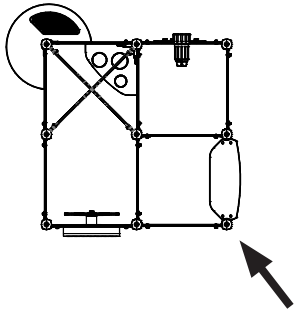
OM
Above Ground



BM
Loosefill
 8112101



CC/BM
Cast Loosefill
 8112101



ST6762
61876206

620996
610996

+0,875m

620996
610996

ST6762
61876206

620996
610996

